



ECS SERIES

OPTIMAL PRICE-PERFORMANCE RATIO

The Benefits:

- **Price-performance ratio:** Cost-efficient 3D sensor for demanding applications
- **Software standards for simple integration:** GigE Vision, GenICam and 3rd party software support
- **Cross-industry application range:** Ideal for food industry, logistics and robot vision



All Information here!
www.at-sensors.com

Increase your operational efficiency with our advanced, cost-effective 3D sensor technology - precisely **tailored to meet your specific requirements.**

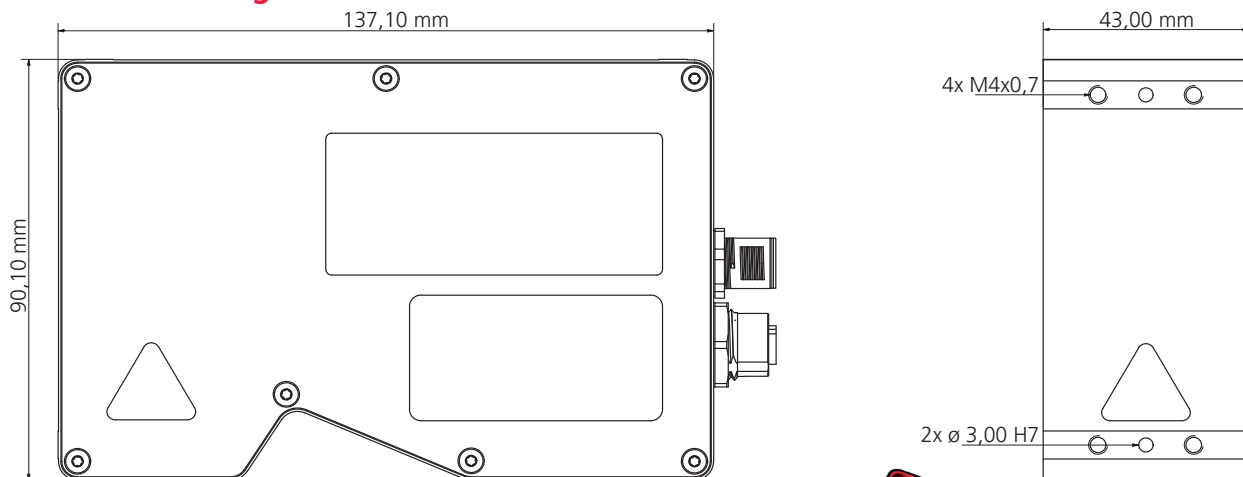
Models

	X-FOV	Working Distance	Z-Range	X-Resolution	Z-Resolution	Laser	Weight
C6-2040-ECS-100-106-SX-1G	100 mm	106 mm	60 mm	49 µm	1,9 µm	2M, 660 nm	0,65 kg
C6-2040-ECS-160-197-SX-1G	160 mm	197 mm	120 mm	78 µm	4,9 µm	2M, 660 nm	0,65 kg

Technical Data

Max. Profile Speed	25 kHz
Points per Profile	2048
Interface	Gigabit-Ethernet
Inputs	<ul style="list-style-type: none"> Encoder A+, A -, B+, B -, Z+, Z- (TTL Level) Two freely configurable digital inputs (+5 to +24 VDC)
Outputs	Two freely configurable digital outputs (+5 to +24 VDC)
Power Supply	<ul style="list-style-type: none"> Sensor supply +10 to +24 VDC (max. +27 VDC) Laser supply +10 to +24 VDC
Housing	Anodized aluminum , IP54
Environmental Conditions	<ul style="list-style-type: none"> Operating temperature 0 ° C to +40 ° C Storage temperature 20 ° C to +80 ° C Humidity 20 % to 80 %
Vibration/Shock	<ul style="list-style-type: none"> Vibration resistance (sinusoidal): DIN EN 60068-2-6: 2008-10: 2g, 10-150 Hz Vibration resistance (random): DIN EN 60068-2-64: 2020-09: 7g, 10-500 Hz Shock resistance: DIN EN 60068-2 27: 2010 02: 15g, 3ms
Standards	GenICam, GigE Vision
Features	Automatic Region-Tracking, Automatic Region-Search, Multiple Regions, MultiPart, AutoStart, History Buffer, Multi-Slope, MultiPeak

Technical Drawings



Recommended Industries:

- Logistics & Packaging
- Robot Vision
- Food & Beverage



AT - Automation Technology

Hermann-Boessow-Str. 6-8
23843 Bad Oldesloe
Germany

Phone: +49 (0)4531 88011 - 66
Email: sales@at-sensors.com
Web: www.at-sensors.com

 Automation
Technology