

■ 5328 x 4608

■ 22 fps

Go-X Series 

GIG
VISION

➤ **GOX-24505-5GE**
24.5-megapixel CMOS global shutter



- **High performance camera with 24.5-megapixel resolution**
- **1.2" CMOS imager (global shutter) features backside illuminated pixel technology**
- **5328 x 4608 resolution with 2.74 μm square pixels**
- **Up to 22 fps over high performance 5GBASE-T interface (5 gigabits per second)**
- **Can auto-negotiate to 2.5GBASE-T and standard GigE (1000BASE-T)**
- **8/10/12-bit output in choice of monochrome or raw Bayer color models**
- **Flexible ROI & rescaling function (Xscale) for sub-pixel color/mono binning and resolution matching**
- **Traditional 1x2, 2x1, or 2x2 binning also included on monochrome models**
- **Horizontal/vertical image flip function, plus blemish compensation and shading correction**
- **Bayer model includes 5x5 debayering function plus built-in color conversion and temperature presets**
- **Includes Sequencer function and Automatic Level Control (ALC) for dynamic lighting conditions**
- **Compact size with excellent shock and vibration resistance**
- **Accepts power over GigE Vision interface or via separate 6-pin connector**
- **C-mount lens mount**

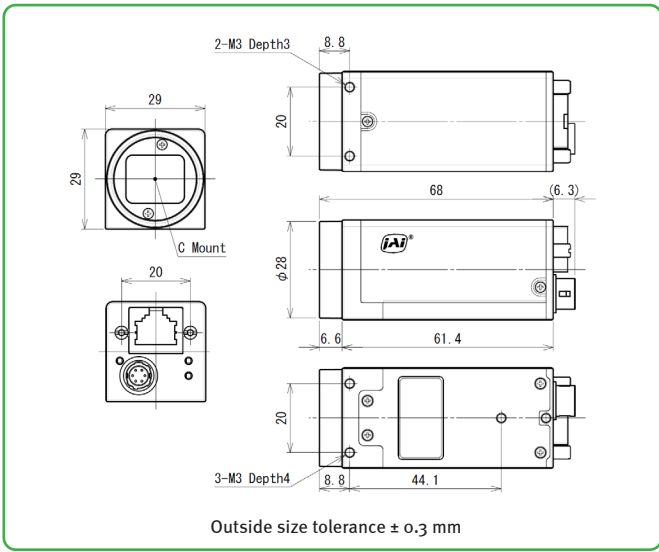
Specifications for GOX-24505-5GE

Specifications		GOX-24505-5GE
Sensor		1.2" CMOS global shutter (IMX540)
Active pixels		5328 (h) x 4608 (v)
Frame rate, full frame		22 frames/sec. @ 8-bit mono/Bayer
Active area		14.6 mm (h) x 12.6 mm (v) - 19.3 mm diagonal
Pixel size		2.74 μm x 2.74 μm
Read-out modes	Full ROI (single) ROI (multi) Binning	5328 (h) x 4608 (v) up to 22 fps H: 96 to 5328 pixels in 8 pixel steps V: 8 to 4608 lines in 2 line steps Up to 64 scanning areas - no overlap 1x2, 2x1, 2x2 (mono only)
Image scaling (Xscale)		Supports independent, sub-pixel rescaling of H and/or V resolution (1/16 max.)
EMVA 1288 Parameters	Absolute sensitivity Maximum SNR	10-bit output format Mono: TBD p Color: TBD p (λ= 527 nm) Mono: TBD dB Color: TBD dB
Traditional SNR (Dark)*		>60 dB mono, >60 dB color (0 dB gain, 10-bit)
Video signal output		Monochrome: 8/10/12-bits Color: 8/10/12-bit Bayer or 24/30/36-bit RGB
Gain		Manual/auto 0 dB to +42 dB
White balance		Off, presets, or one-push/continuous AWB
Gamma/LUT		0.45 to 1.0 (9 steps) or 257-point programmable LUT
Time synchronization		Support for Precision Time Protocol (IEEE 1588)
Trigger input		Opto In, Pulse Generators (4), Software, NAND Out (2), User Output (4), Actions
Exposure modes		Timed/EPG, RCT, Trigger Width, Auto
Electronic shutter		Timed: 3.5 μs to 8 sec. in 1 μs steps Auto: 100 μs to 45.4 ms at full resolution
Auto Level Control (ALC)		Shutter range from 100 μs to 45.4 ms, gain range from 0 dB to +42 dB. Tracking speeds and min/max values adjustable.
Shading correction		Flat shading, color shading (color model)
Video processing functions		H & V flip (mirroring), blemish compensation, edge enhancement, color conversion (color model)
Operating temp. (ambient)		-5°C to +45°C (20 to 80% non-condensing)
Storage temp. (ambient)		-25°C to +60°C (20 to 80% non condensing)
Vibration		10G (20 Hz to 200 Hz, XYZ directions)
Shock		80G
Regulations		CE(EN 55032:2015(CISPR32:2015), EN 55035:2017(CISPR35:2016)), FCC Part 15 Class A, RoHS/WEEE, KC
Power	6-pin PoE	+10V to +25V DC. TBD W typical @ +12 V +36V to +57 V DC. TBD W typical @ +48 V
Lens mount		C-mount
Dimensions (H x W x L)		29 mm x 29 mm x 68 mm
Weight		94 g

Ordering Information

GOX-24505M-5GE	Monochrome camera with 5GigE Vision interface
GOX-24505C-5GE	Color camera with 5GigE Vision interface

Dimensions



Connector pin-out

DC In / Trigger

HIROSE HR10A-7R-6PB(73)

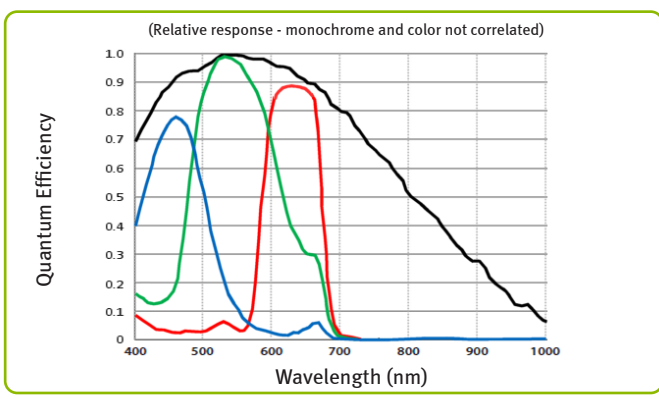
Pin	Signal
1	DC in +10V to +25V
2	Opto In+
3	Opto In-
4	Opto Out+
5	Opto Out-
6	Ground

5GigE Vision Interface

RJ45 with locking screws

Pin	Signal
1	TRD+ (0)
2	TRD- (0)
3	TRD+ (1)
4	TRD+ (2)
5	TRD- (2)
6	TRD- (1)
7	TRD+ (3)
8	TRD- (3)

Spectral Response



*Traditional SNR is based on random noise in a single frame, where EMVA SNR measurements consider more comprehensive noise sources and variance over time.

Europe, Middle East & Africa
Phone +45 4457 8888
Fax +45 4491 8880

Asia Pacific
Phone +81 45 440 0154
Fax +81 45 440 0166

Americas
Phone (Toll-Free) 1 800 445 5444
Phone +1 408 383 0300



Visit our website on www.jai.com

See the possibilities

Company and product names mentioned in this datasheet are trademarks or registered trademarks of their respective owners. IAI-A-S cannot be held responsible for any technical or typographical errors and reserves the right to make changes to products and documentation without prior notice.