

▪ 4512 X 4512

▪ 27 fps

Go-X Series 

**GIG**  
VISION

➤ **GOX-20405-5GE**  
20.3-megapixel CMOS global shutter



- **High performance camera with 20.3-megapixel resolution**
- **1.1" CMOS imager (global shutter) features backside illuminated pixel technology**
- **4512 x 4512 resolution with 2.74  $\mu\text{m}$  square pixels**
- **Up to 27 fps over high performance 5GBASE-T interface (5 gigabits per second)**
- **Can auto-negotiate to 2.5GBASE-T and standard GigE (1000BASE-T)**
- **8/10/12-bit output in choice of monochrome or raw Bayer color models**
- **Flexible ROI & rescaling function (Xscale) for sub-pixel color/mono binning and resolution matching**
- **Traditional 1x2, 2x1, or 2x2 binning also included on monochrome models**
- **Horizontal/vertical image flip function, plus blemish compensation and shading correction**
- **Bayer model includes 5x5 debayering function plus built-in color conversion and temperature presets**
- **Includes Sequencer function and Automatic Level Control (ALC) for dynamic lighting conditions**
- **Compact size with excellent shock and vibration resistance**
- **Accepts power over GigE Vision interface or via separate 6-pin connector**
- **C-mount lens mount**

**iAi**<sup>®</sup>

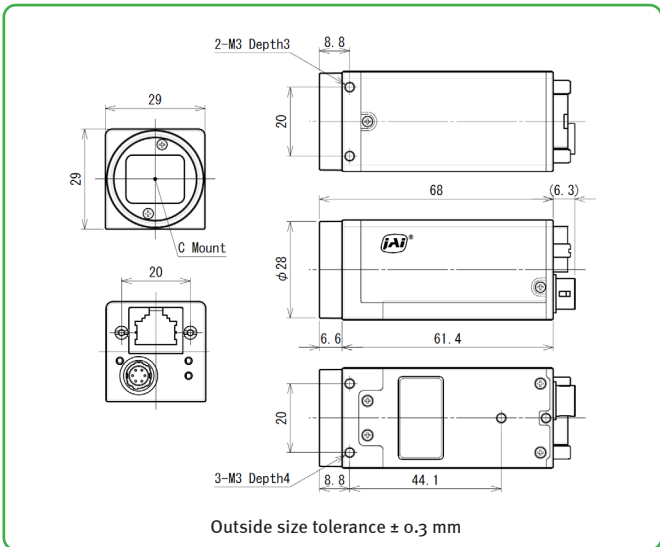
# Specifications for GOX-20405-5GE

Specifications		GOX-20405-5GE
Sensor		1.1" CMOS global shutter (IMX541)
Active pixels		4512 (h) x 4512 (v)
Frame rate, full frame		27 frames/sec. @ 8-bit mono/Bayer
Active area		12.4 mm (h) x 12.4 mm (v) - 17.48 mm diagonal
Pixel size		2.74 μm x 2.74 μm
Read-out modes	Full ROI (single) ROI (multi) Binning	4512 (h) x 4512 (v) up to 27 fps H: 96 to 4512 pixels in 8 pixel steps V: 8 to 4512 lines in 2 line steps Up to 64 scanning areas - no overlap 1x2, 2x1, 2x2 (mono only)
Image scaling (Xscale)		Supports independent, sub-pixel rescaling of H and/or V resolution (1/16 max.)
EMVA 1288 Parameters	Absolute sensitivity Maximum SNR	10-bit output format Mono: TBD p Color: TBD p (λ= 527 nm) Mono: TBD dB Color: TBD dB
Traditional SNR (Dark)*		>60 dB mono, >60 dB color (0 dB gain, 10-bit)
Video signal output		Monochrome: 8/10/12-bits Color: 8/10/12-bit Bayer or 24/30/36-bit RGB
Gain		Manual/auto 0 dB to +42 dB
White balance		Off, presets, or one-push/continuous AWB
Gamma/LUT		0.45 to 1.0 (9 steps) or 257-point programmable LUT
Time synchronization		Support for Precision Time Protocol (IEEE 1588)
Trigger input		Opto In, Pulse Generators (4), Software, NAND Out (2), User Output (4), Actions
Exposure modes		Timed/EPS, RCT, Trigger Width, Auto
Electronic shutter		Timed: 3.5 μs to 8 sec. in 1 μs steps Auto: 100 μs to 37 ms at full resolution
Auto Level Control (ALC)		Shutter range from 100 μs to 37 ms, gain range from 0 dB to +42 dB. Tracking speeds and min/max values adjustable.
Shading correction		Flat shading, color shading (color model)
Video processing functions		H & V flip (mirroring), blemish compensation, edge enhancement, color conversion (color model)
Operating temp. (ambient)		-5°C to +45°C (20 to 80% non-condensing)
Storage temp. (ambient)		-25°C to +60°C (20 to 80% non condensing)
Vibration		10G (20 Hz to 200 Hz, XYZ directions)
Shock		80G
Regulations		CE(EN 55032:2015(CISPR32:2015), EN 55035:2017(CISPR35:2016)), FCC Part 15 Class A, RoHS/WEEE, KC
Power	6-pin PoE	+10V to +25V DC. TBD W typical @ +12 V +36V to +57 V DC. TBD W typical @ +48 V
Lens mount		C-mount
Dimensions (H x W x L)		29 mm x 29 mm x 68 mm
Weight		94 g

## Ordering Information

GOX-20405M-5GE	Monochrome camera with 5GigE Vision interface
GOX-20405C-5GE	Color camera with 5GigE Vision interface

## Dimensions



## Connector pin-out

**DC In / Trigger**

HIROSE HR10A-7R-6PB(73)

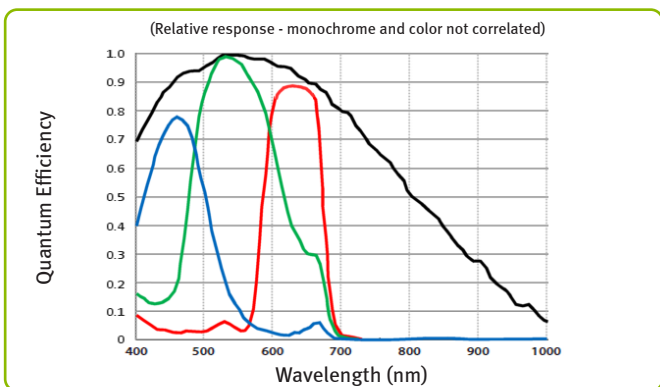
Pin	Signal
1	DC in +10V to +25V
2	Opto In+
3	Opto In-
4	Opto Out+
5	Opto Out-
6	Ground

**5GigE Vision Interface**

RJ45 with locking screws

Pin	Signal
1	TRD+ (0)
2	TRD- (0)
3	TRD+ (1)
4	TRD+ (2)
5	TRD- (2)
6	TRD- (1)
7	TRD+ (3)
8	TRD- (3)

## Spectral Response



\*Traditional SNR is based on random noise in a single frame, where EMVA SNR measurements consider more comprehensive noise sources and variance over time.

Company and product names mentioned in this datasheet are trademarks or registered trademarks of their respective owners. JAI A-5 Cannot be held responsible for any technical or typographical errors and reserves the right to make changes to products and documentation without prior notice.

**Europe, Middle East & Africa**  
Phone +45 4457 8888  
Fax +45 4491 8880

**Asia Pacific**  
Phone +81 45 440 0154  
Fax +81 45 440 0166

**Americas**  
Phone (Toll-Free) 1 800 445 5444  
Phone +1 408 383 0300

