

■ 4128 x 3008

■ 47 fps

Go-X Series 

➤ **GOX-12405-CXP**
12.4-megapixel CMOS global shutter

CoaXPress[®]



- **High performance camera with 12.4-megapixel resolution**
- **1/1.1" CMOS imager (global shutter) features backside illuminated pixel technology**
- **Up to 47 fps at full resolution (4128 x 3008)**
- **2.74 μm square pixels**
- **8/10/12-bit output in choice of monochrome or raw Bayer color models**
- **Flexible ROI & rescaling function for sub-pixel color/mono binning and resolution matching**
- **Traditional 1x2, 2x1, or 2x2 binning also included on monochrome models**
- **Horizontal/vertical image flip function, plus blemish compensation and shading correction**
- **Bayer model includes 5x5 debayering function plus built-in color conversion and temperature presets**
- **Includes Sequencer function and Automatic Level Control (ALC) for dynamic lighting conditions**
- **Compact size with excellent shock and vibration resistance**
- **Accepts power over CoaXPress interface or via separate 6-pin connector**
- **C-mount lens mount**

Specifications for GOX-12405-CXP

Go-X Series

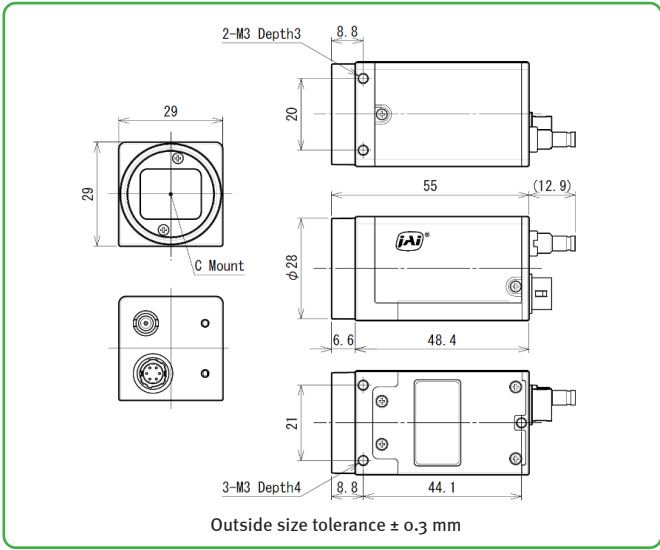
Specifications | GOX-12405-CXP

Sensor	1/1.1" CMOS global shutter (IMX545)
Active pixels	4128 (h) x 3008 (v)
Frame rate, full frame	47 frames/sec. @ 8-bit mono/Bayer
Active area	11.3 mm (h) x 8.2 mm (v) - 14.0 mm diagonal
Pixel size	2.74 μm x 2.74 μm
Read-out modes	Full ROI (single) 4128 (h) x 3008 (v) up to 47 fps H: 96 to 4128 pixels in 8 pixel steps V: 8 to 3008 lines in 2 line steps ROI (multi) Binning Up to 64 scanning areas - no overlap 1x2, 2x1, or 2x2 (mono only)
Image scaling	Supports independent, sub-pixel rescaling of H and/or V resolution (1/16 max.)
EMVA 1288 Parameters	12-bit output format
Absolute sensitivity	Mono: TBD p Color: TBD p ($\lambda = 527 \text{ nm}$)
Maximum SNR	Mono: TBD dB Color: TBD dB
Traditional SNR (Dark)*	>60 dB mono, >60 dB color (0 dB gain, 10-bit)
Video signal output	Monochrome: 8/10/12-bits Color: 8/10/12-bit Bayer or 24/30/36-bit RGB
Gain	Manual/auto 0 dB to +42 dB
White balance	Off, presets, or one-push/continuous AWB
Gamma/LUT	0.45 to 1.0 (9 steps) or 257-point programmable LUT
Synchronization	Internal
Trigger input	CXP In, Opto In, Pulse Generators (4), Software, NAND Out (2), User Output (4)
Exposure modes	Timed/EPS, RCT, Trigger Width, Auto
Electronic shutter	Timed: 3.5 μs to 8 sec. in 1 μs steps Auto: 100 μs to 20.8 ms at full resolution
Auto Level Control (ALC)	Shutter range from 100 μs to 20.8 ms, gain range from 0 dB to +42 dB. Tracking speeds and min/max values adjustable.
Shading correction	Flat shading, color shading (color model)
Video processing functions	H & V flip (mirroring), blemish compensation, gradation compression, edge enhancement, color enhancement & color conversion (color model)
Operating temp. (ambient)	-5°C to +45°C (20 to 80% non-condensing)
Storage temp. (ambient)	-25°C to +60°C (20 to 80% non condensing)
Vibration	10G (20 Hz to 200 Hz, XYZ directions)
Shock	80G
Regulations	CE(EN 55032:2015(CISPR32:2015), EN 55035:2017(CISPR35:2016)), FCC Part 15 Class A, RoHS/WEEE, KC
Power	6-pin PoCXP +10V to +25V DC. 4.1 W typical @ +12 V Supported
Lens mount	C-mount
Dimensions (H x W x L)	29 mm x 29 mm x 55 mm
Weight	60 g

Ordering Information

GOX-12405M-CXP	Monochrome camera with CoaXPress interface
GOX-12405C-CXP	Color camera with CoaXPress interface

Dimensions



Connector pin-out

DC In / Trigger

HIROSE HR10A-7R-6PB

Pin	1	2	3	4	5	6
	DC in +10V to +25V	Opto In+	Opto In-	Opto Out+	Opto Out-	Ground

CoaXPress Interface

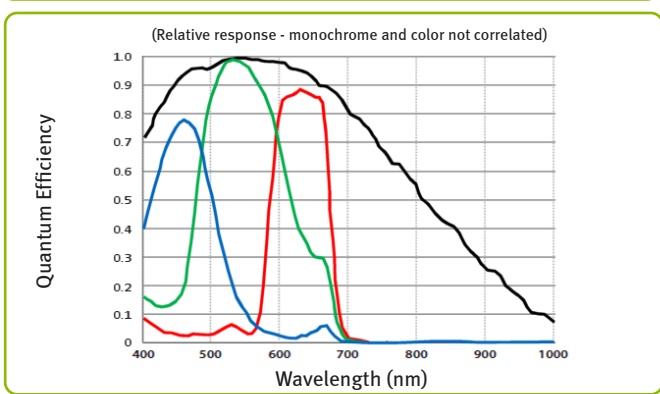
DIN type

Single channel output, CXP 2.0

Requires cable with 75 Ω 1.0/2.3 DIN-type connector

Supports up to 6.25 Gbps output speed (CXP-6)

Spectral Response



*Traditional SNR is based on random noise in a single frame, where EMVA SNR measurements consider more comprehensive noise sources and variance over time.

Europe, Middle East & Africa
 Phone +45 4457 8888
 Fax +45 4491 8880

Asia Pacific
 Phone +81 45 440 0154
 Fax +81 45 440 0166

Americas
 Phone (Toll-Free) 1 800 445 5444
 Phone +1 408 383 0300

Visit our website on www.jai.com

See the possibilities



Company and product names mentioned in this datasheet are trademarks or registered trademarks of their respective owners. JAI A-5 Cannot be held responsible for any technical or typographical errors and reserves the right to make changes to products and documentation without prior notice.

May 2022